

DCR™ A1



Features

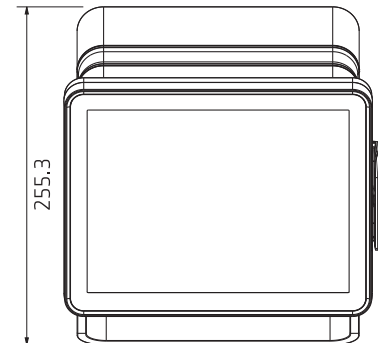
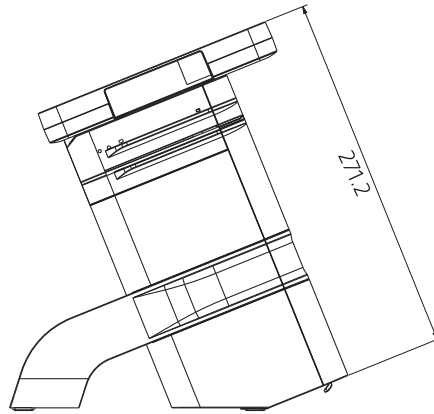
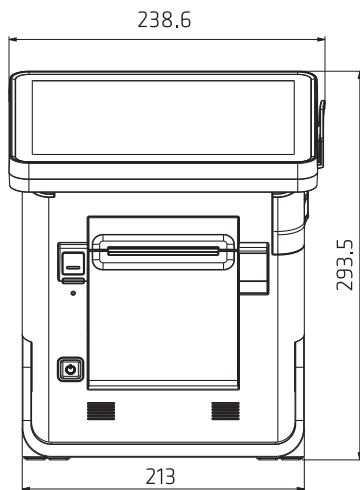
- Red Dot Design Award Winner
- Super Compact All-in-One POS Terminal
- ARM Cortex-A7 Quad-Core Processor
- Android™ 6.0 Supported
- 10" Display with PCAP Touch
- 3" Fast Printer, Card Reader, and Customer Display Integrated
- Budget-Friendly Solution

Specifications

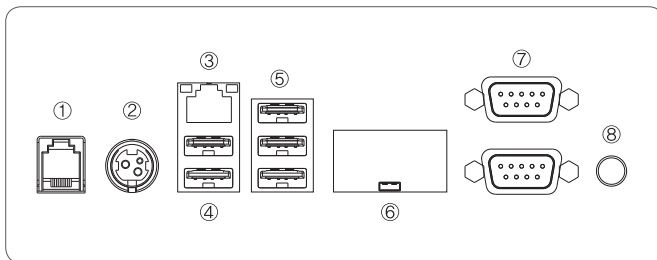
System	Processors	ARM Cortex-A7 Quad-Core Processor (1.2GHz)
	Memory	1GB, DDR3L
	Storage	eMMC 8GB, On-board (Max. 32GB)
	Operating Systems	Android™ 6.0
	Printer	3" Jam-Free Thermal, Max. 200mm/s, Auto Cutter, Built-in Type
Display	Type	9.7" TFT LCD, LED Backlight
	Resolution	1024 x 768
	Brightness	300 cd/m ²
	Touchscreen	Projective Capacitive Touch
Interface	USB	6 (Rear 5, Internal 1, USB 2.0 x 6), Internal : MSR (HID Class), Printer (Printer Class)
	Serial	5 External : COM1, COM2 (with 5V Power Output on 9 Pins) Internal : COM3 (Reserved for MSR), COM4 (Reserved for Customer Display), COM5 (Reserved for Printer)
	LAN	1 x 100Mb/s Ethernet
	Cash Drawer port	1
	Power DC-IN	1 x (3 Pin Connector)
	Audio	1 x Line-out
	OTG	1
Power	Power Supply	Adaptor 24V, 3A
Physical & Environmental	Operating Temperature	0 °C ~ 60 °C at 10% to 90% Humidity
	Storage Temperature	-20 °C ~ 80 °C at 10% to 90% Humidity
	Dimensions (W x H x D)	238.6 x 293.5 x 255.3 (mm), 9.4 x 11.6 x 10.1 (in)
	Packing Dimensions (W x H x D)	350 x 375 x 285 (mm), 13.8 x 14.8 x 11.2 (in)
	Net Weight	3,700g
	Packing Weight	5,400g
	Certification	CE, FCC, KC
	Color	Glossy White, Matte Black
Options & Peripherals	Memory	2GB, DDR3L (Factory Option)
	Customer Display	VFD 20 Columns x 2 Lines, LCD 16 Columns x 2 Lines (Factory Option)
	Magnetic Stripe Reader	Comply with ISO 7811, Support 1 & 2 & 3 Track (Factory Option)
	Smart Card Reader	EMV Level 1, 2 (Factory Option)
	SD Card Reader	Yes
	WiFi	USB Interface
	Bluetooth	USB Interface

Dimensions

Unit : mm



I/O Interfaces



- ① Cash Drawer
- ② Power Connector / 24V
- ③ LAN
- ④ USB 2.0 x 2
- ⑤ USB 2.0 x 3
- ⑥ OTG 2.0
- ⑦ COM 1, COM 2
- ⑧ AUDIO OUT

Ordering Information

Part No.	Description
DCR A1 (B)	ARM Cortex-A7 Quad-Core, DDR3 1GB, eMMC 8GB, 9.7" P-CAP Touch, 3" Built-in Printer, Android 6.0, Black
DCR A1 (W)	ARM Cortex-A7 Quad-Core, DDR3 1GB, eMMC 8GB, 9.7" P-CAP Touch, 3" Built-in Printer, Android 6.0, White
IPO-MS 237 C_DCR_B	MSR, Black
IPO-MS 237 E2_DCR	MSR + SCR, Black
DCR_CDP	Customer Display (VFD)

